

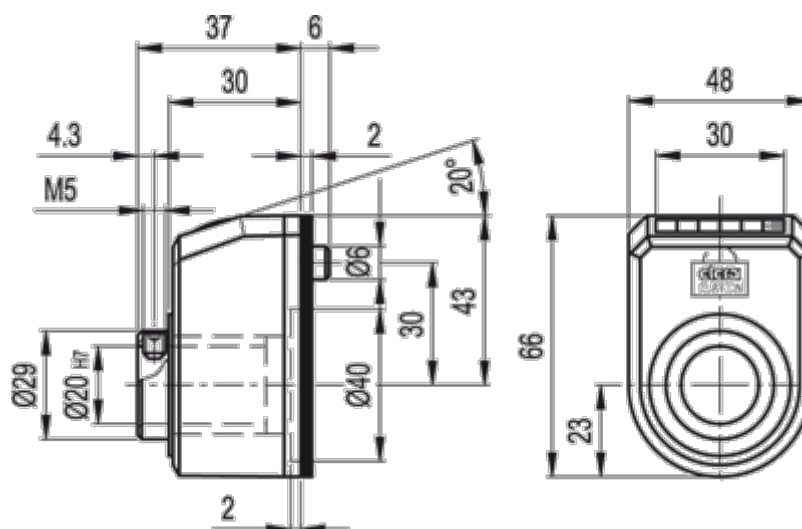
Data Sheet



Article number: 2307082752

Description: E+G Direct drive position indicator
DD52R-AR-0005.0-S-C3 (Grey)

Measures



Max rpm = 500